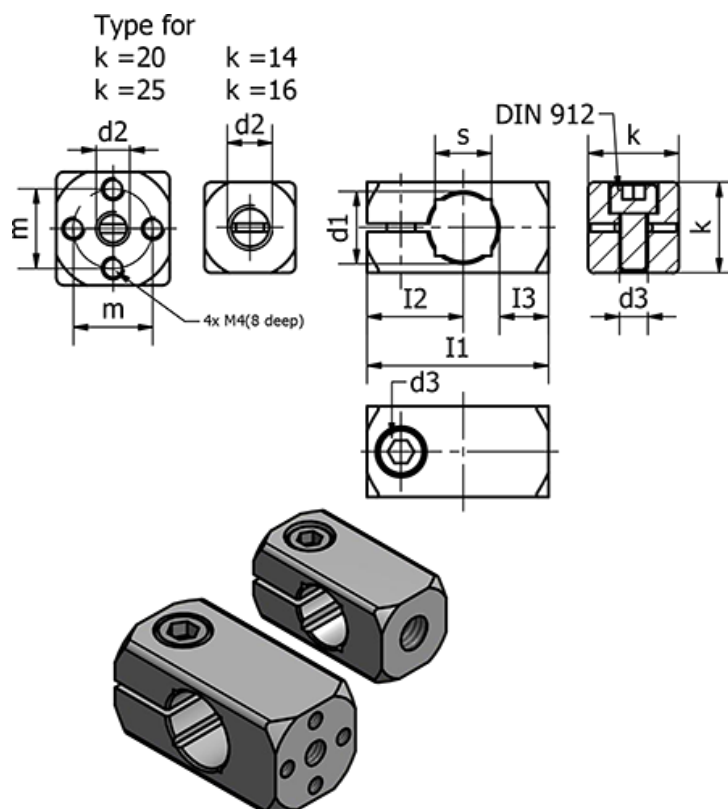


Article number: 20478B16M6MT

Description: E+G Clamp mounting - GN 478-B16-M6-MT

## Measures



Clamping kit for  $d_2 = \text{GN 511-M6-20}$

$d_1$  h11 = 16

$d_2$  = M6

$d_3$  = M6

$I_1$  = 40

$I_2$  = 20.5

$I_3$  = 11.5

$k$  = 20

$m$  = 14

$s$  =

Weight (g) = 31